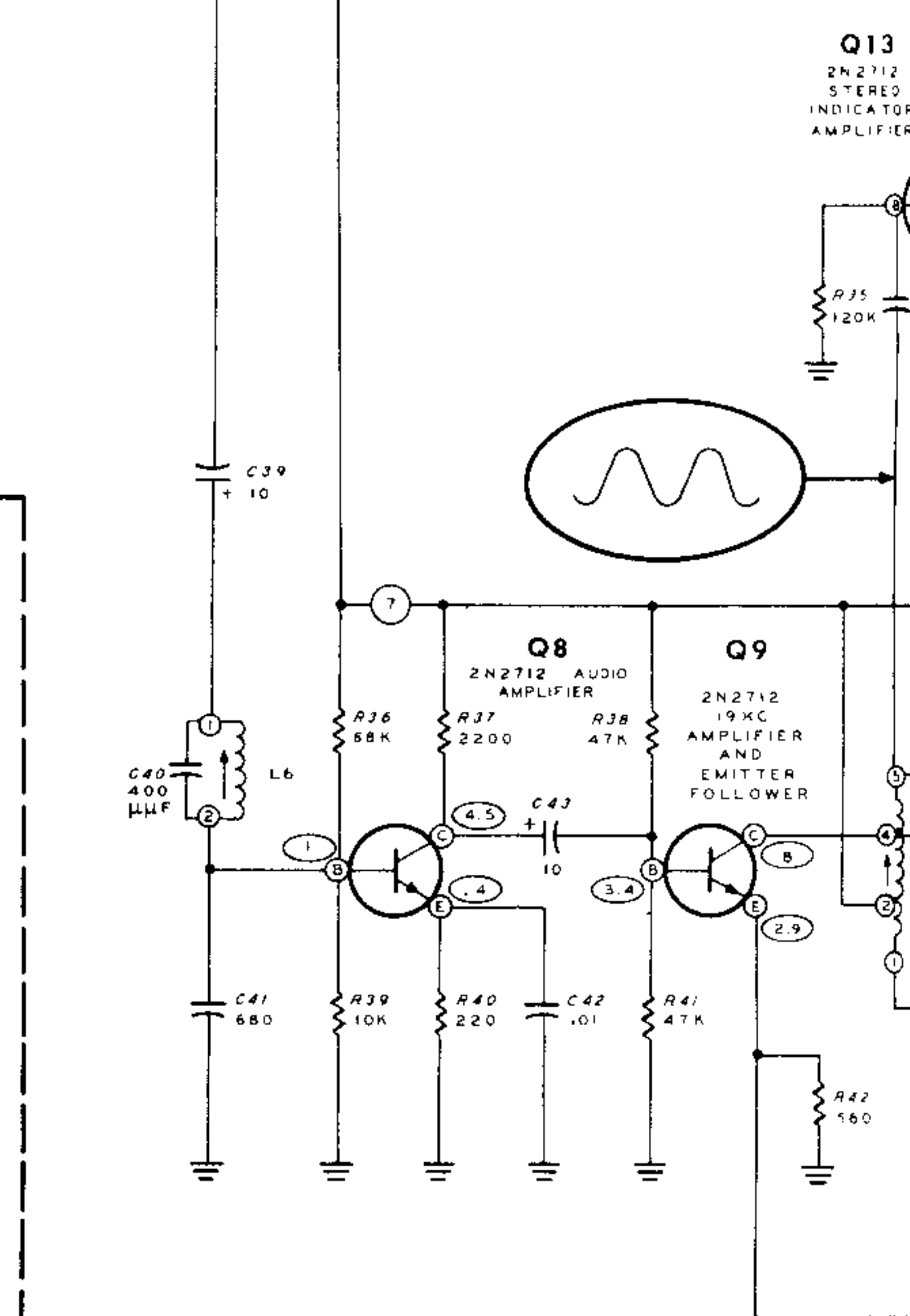
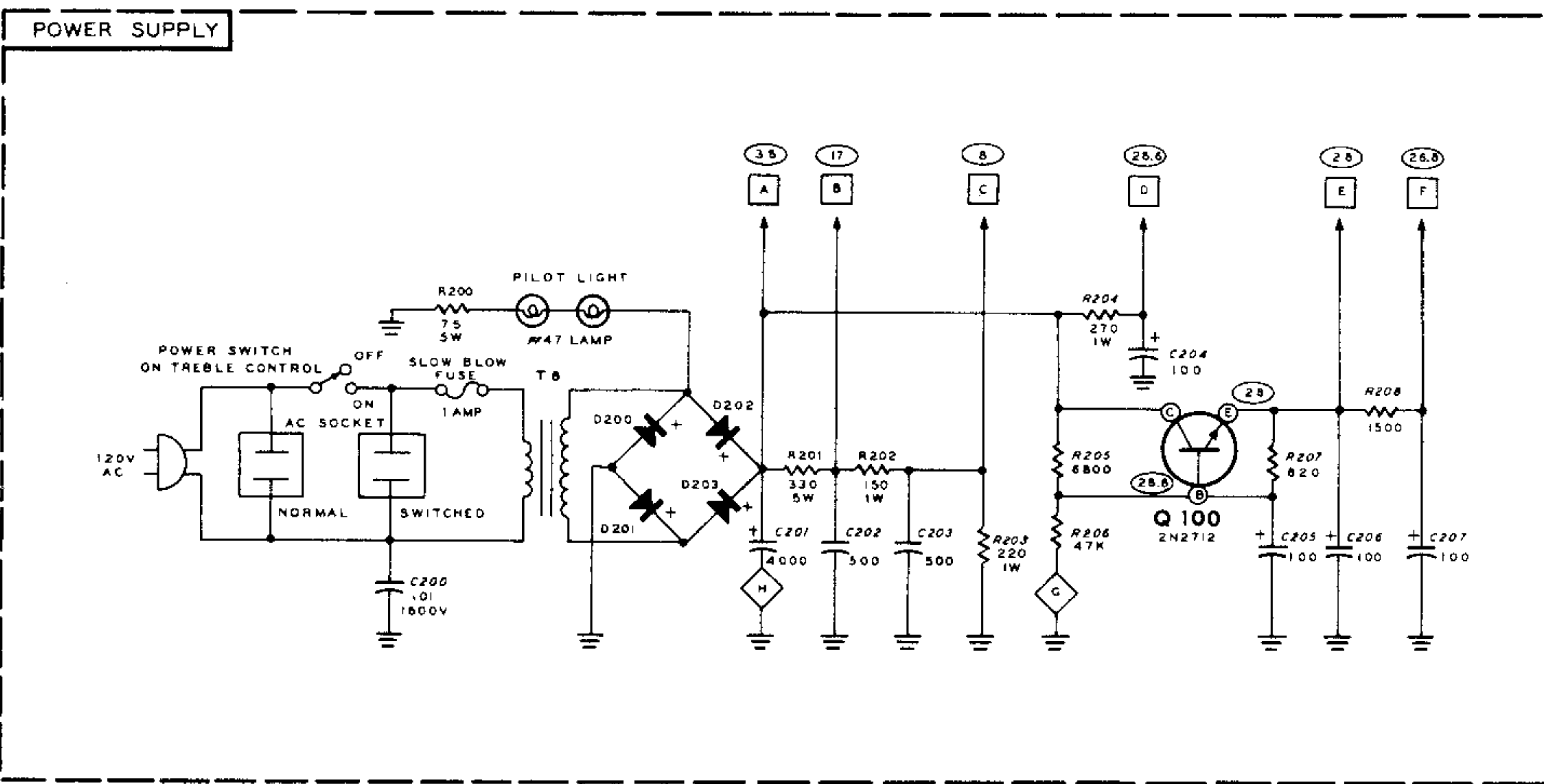
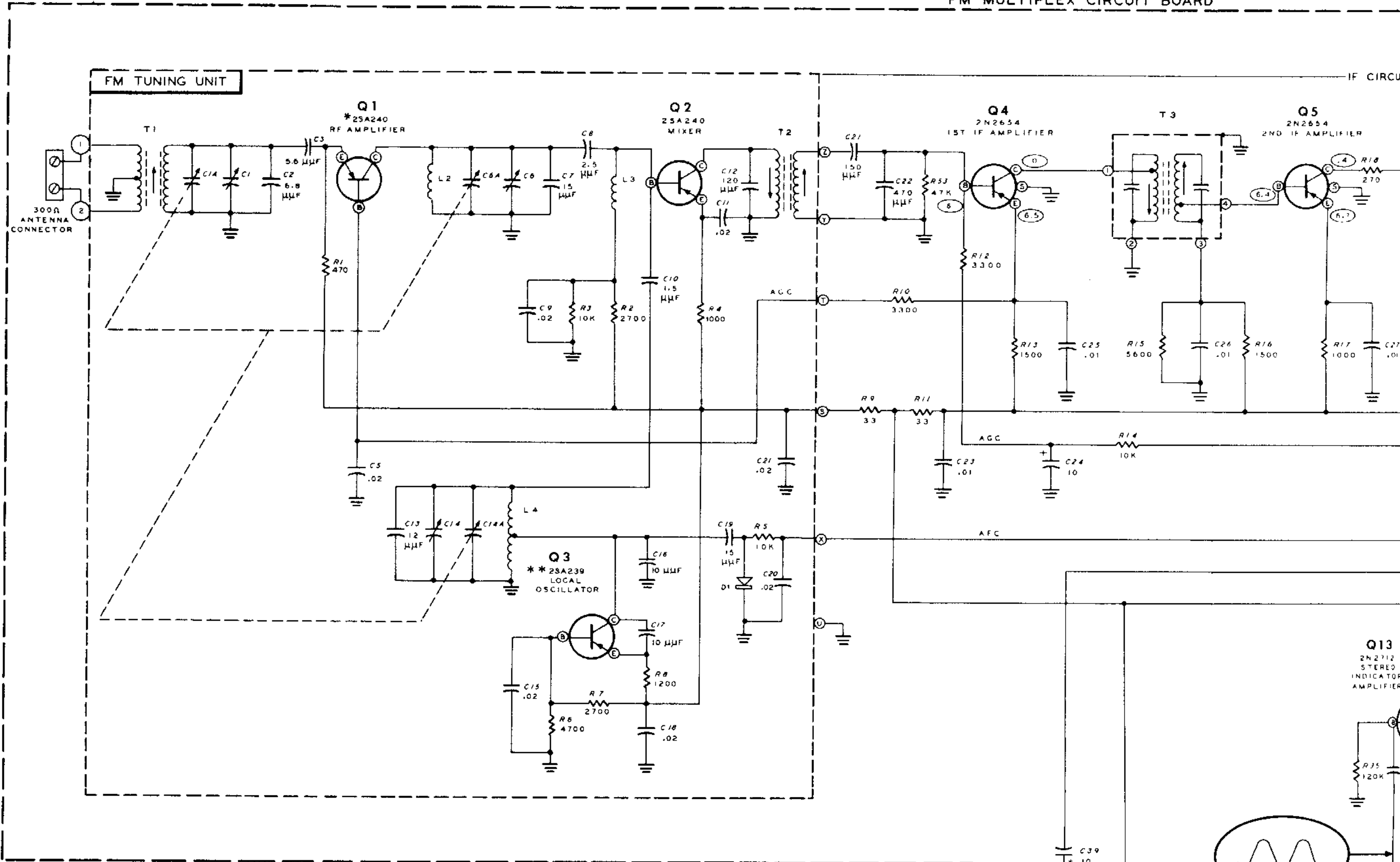
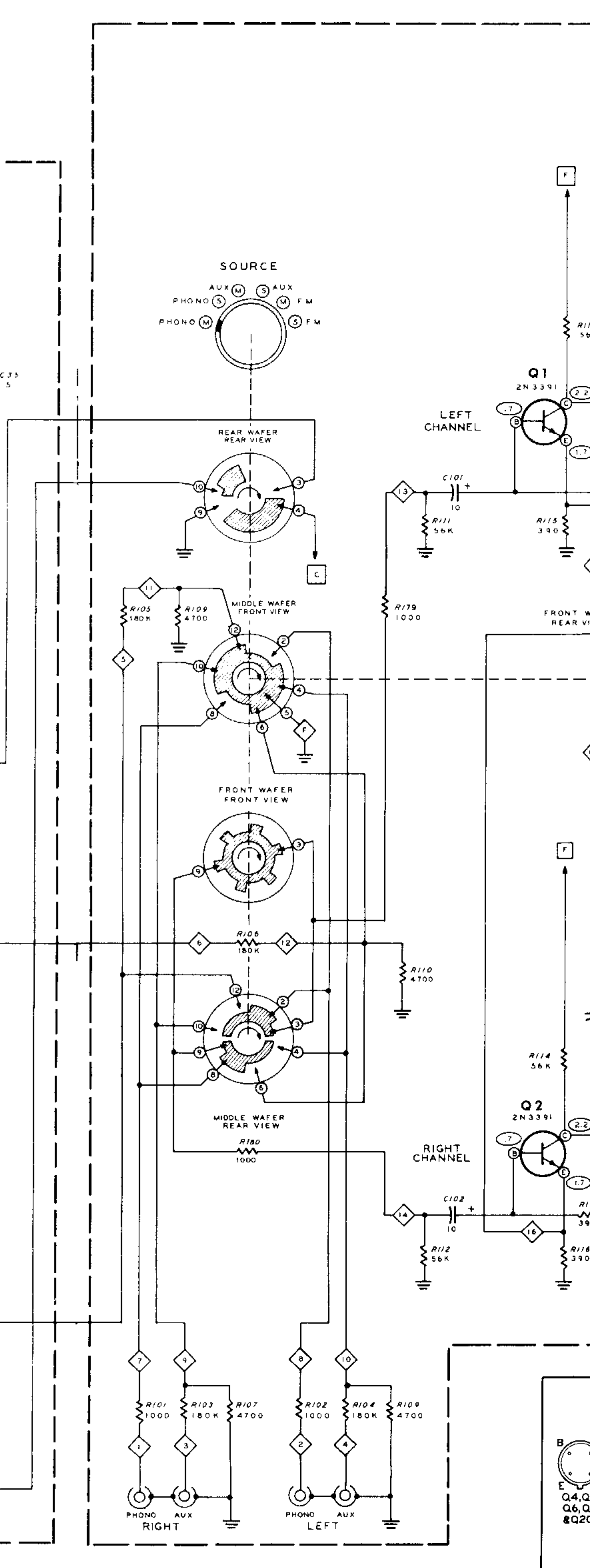
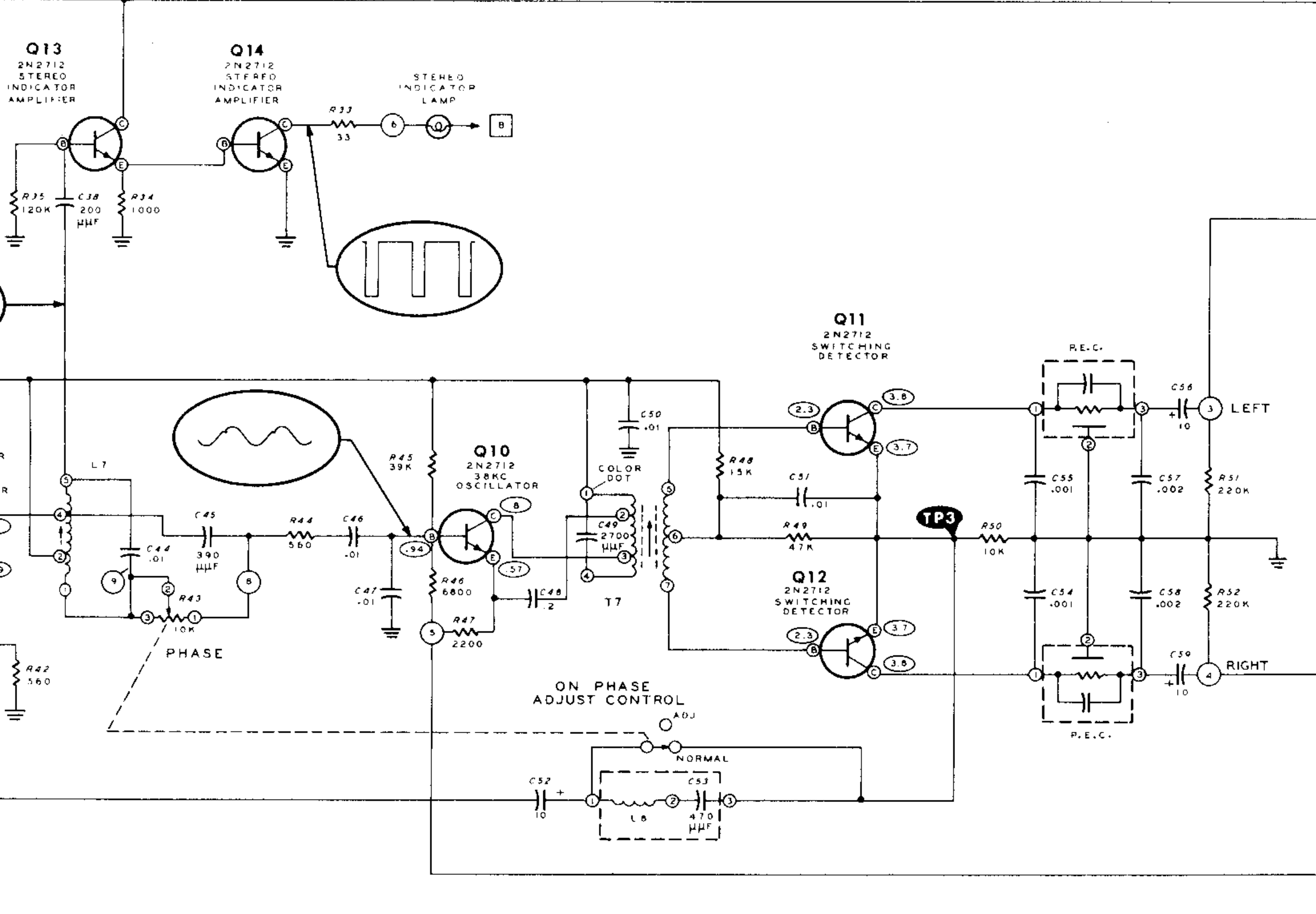
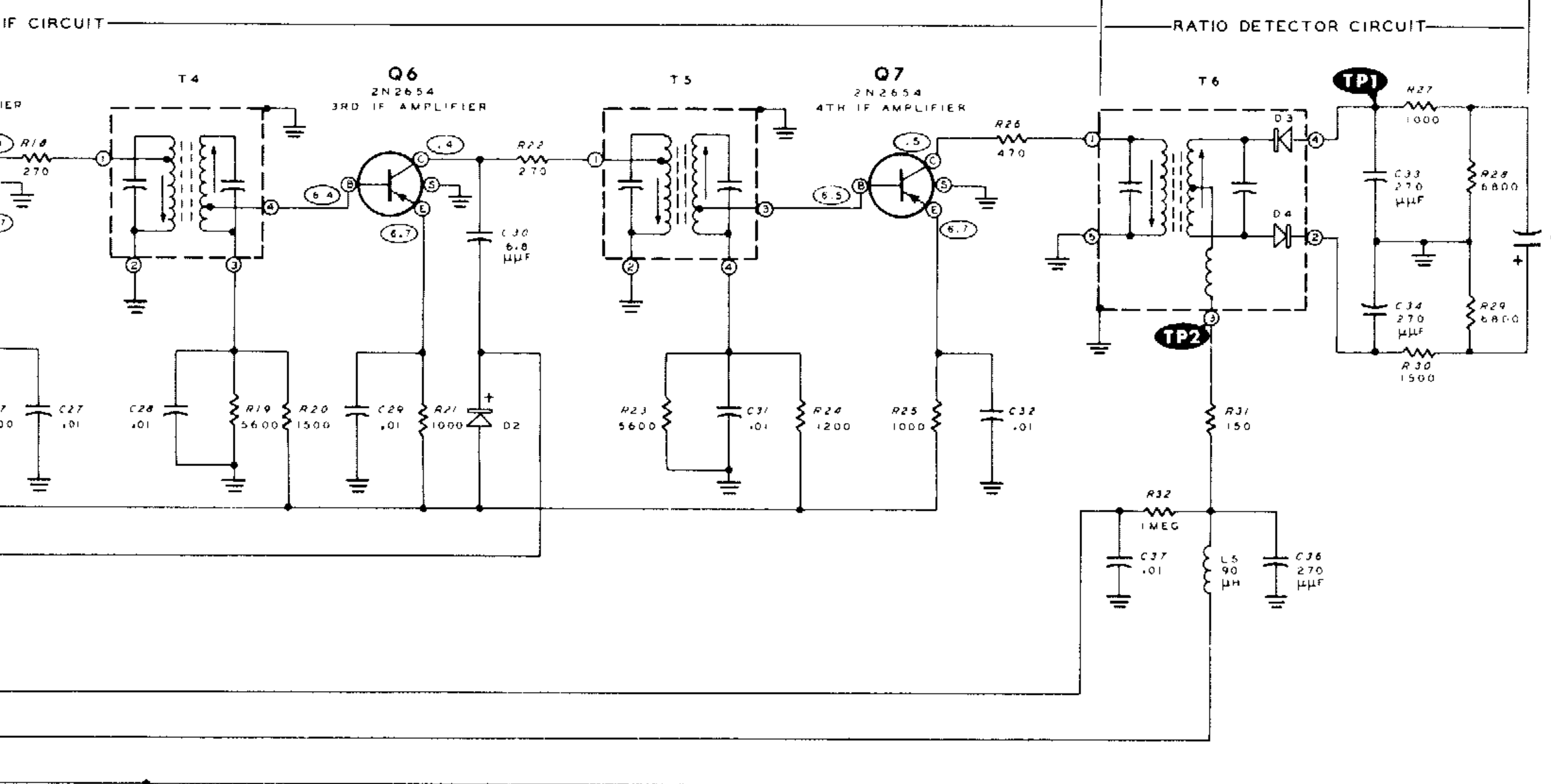


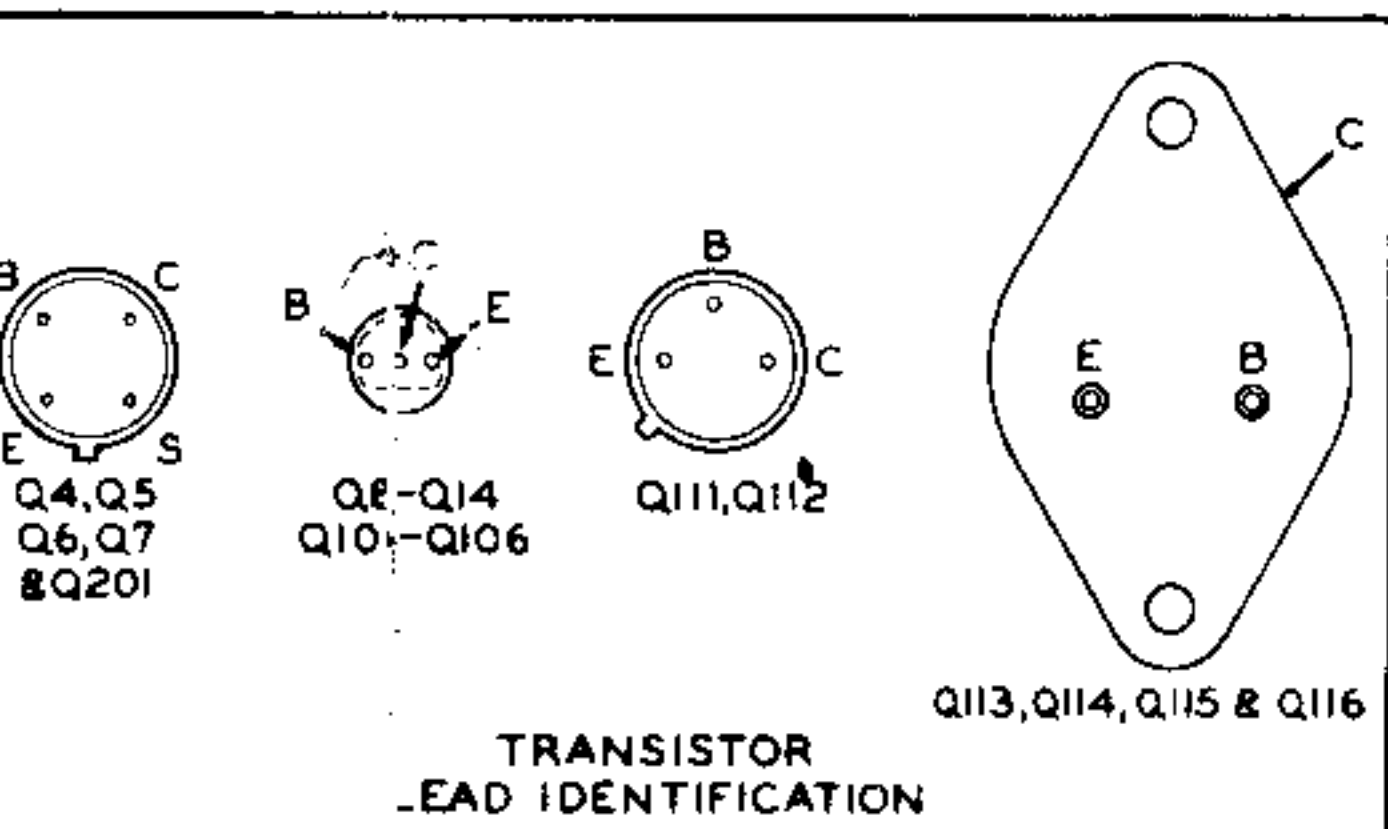
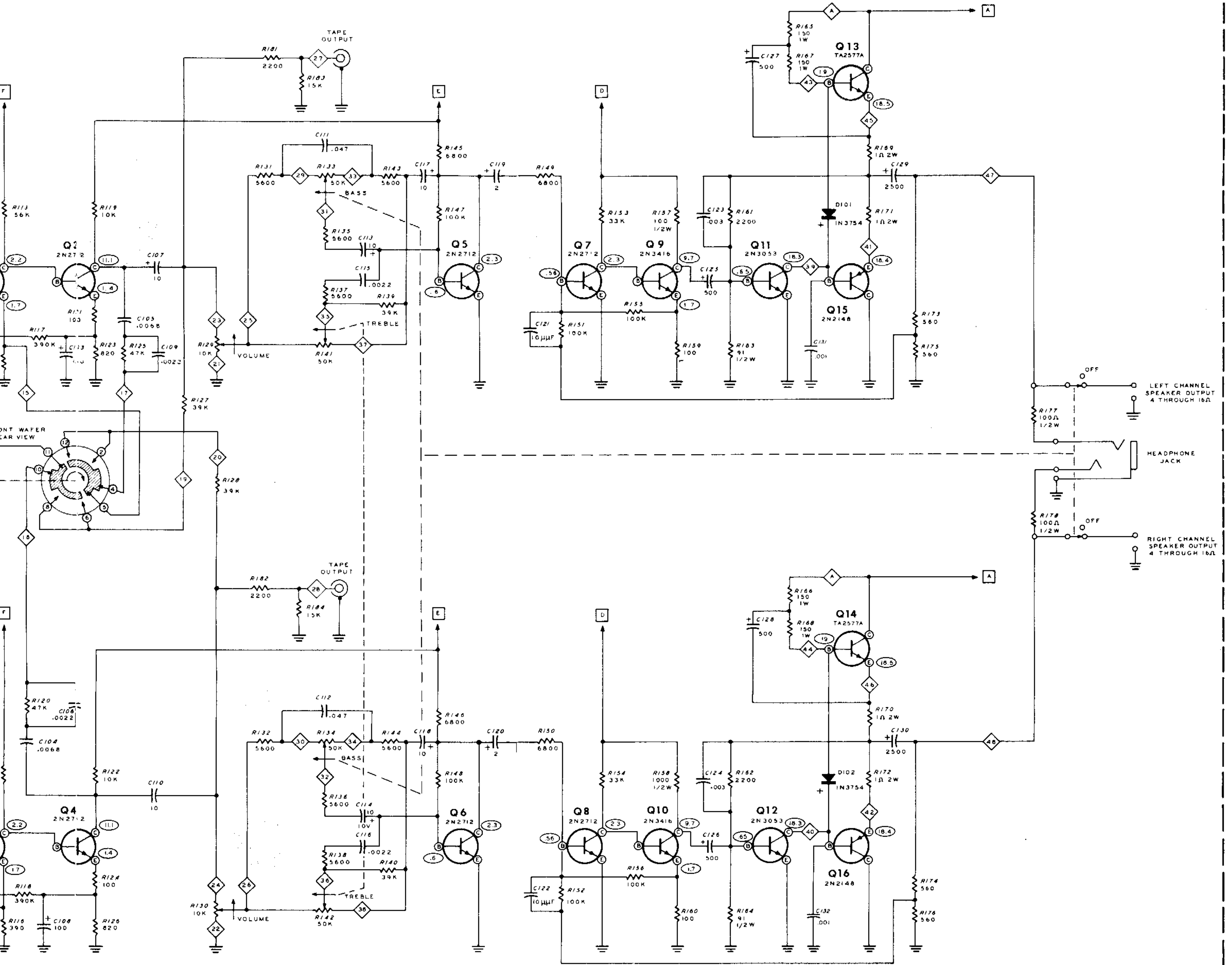
FM MULTIPLEX CIRCUIT BOARD



**Q13** 2N2712  
STEREO INDICATOR AMPLIFIER



AMPLIFIER CIRCUIT BOARD



SCHMATIC OF THE HEATHKIT® SOLID STATE FM RECEIVER MODEL AR-14

NOTES:

- RESISTOR AND CAPACITOR NUMBERS ARE IN THE FOLLOWING GROUPS:  
 0 - 99 NUMBERS IN THE FM TUNER SECTION.  
 100 - 199 ODD NUMBERS INDICATE LEFT CHANNEL COMPONENTS, EVEN NUMBERS INDICATE RIGHT CHANNEL COMPONENTS, PARTS IN THE POWER SUPPLY.  
 200 - 299 PARTS IN THE POWER SUPPLY.
- ALL RESISTORS ARE 1/4 WATT UNLESS MARKED OTHERWISE. RESISTOR VALUES ARE IN OHMS: K = 1000, MEG = 1,000,000.
- ALL CAPACITOR VALUES ARE IN  $\mu$ F UNLESS MARKED OTHERWISE.
- THIS SYMBOL INDICATES A POSITIVE DC VOLTAGE MEASUREMENT, TAKEN WITH AN 11 MEGOHM VTVM FROM THE POINT INDICATED TO CHASSIS GROUND. VOLTAGES MAY VARY 50%.
- INDICATES B- VOLTAGE POINTS.
- INDICATES CONNECTING POINTS ON AMPLIFIER CIRCUIT BOARD.
- INDICATES CONNECTING POINTS ON FM TUNER CIRCUIT BOARD.
- SOURCE SWITCH SHOWN IN FULL COUNTERCLOCKWISE POSITION AS VIEWED FROM THE FRONT.
- REFER TO THE CIRCUIT BOARD X-RAY VIEWS FOR THE PHYSICAL LOCATION OF PARTS.
- INDICATES CW ROTATION.
- MEASUREMENTS MADE WITHOUT ANTENNA CONNECTED, SWITCH S2 AT STEREO POSITION, AND PHASE SWITCH PUSHED IN.
- INDICATES TEST POINTS.
- Q1 MAY BE A 2SA163 OR 2SA435 TRANSISTOR.  
 Q3 MAY BE A 2SA235 TRANSISTOR.  
 2N2712 TRANSISTORS: Q8 THROUGH Q13 HAVE AN ORANGE DOT AND Q14 HAS A BLUE DOT.

**Free Manual**

**Not to be resold**

**Technology  
Systems**

**PLEASE REPORT VOILATIONS TO  
[WWW.TECH-SYSTEMS-LABS.COM](http://WWW.TECH-SYSTEMS-LABS.COM)**